

WELDED LOWER CONTROL ARMS

NAME _____ EMAIL _____
ADDRESS _____ PHONE _____
CITY _____ STATE _____ ZIP _____

DIMENSIONS

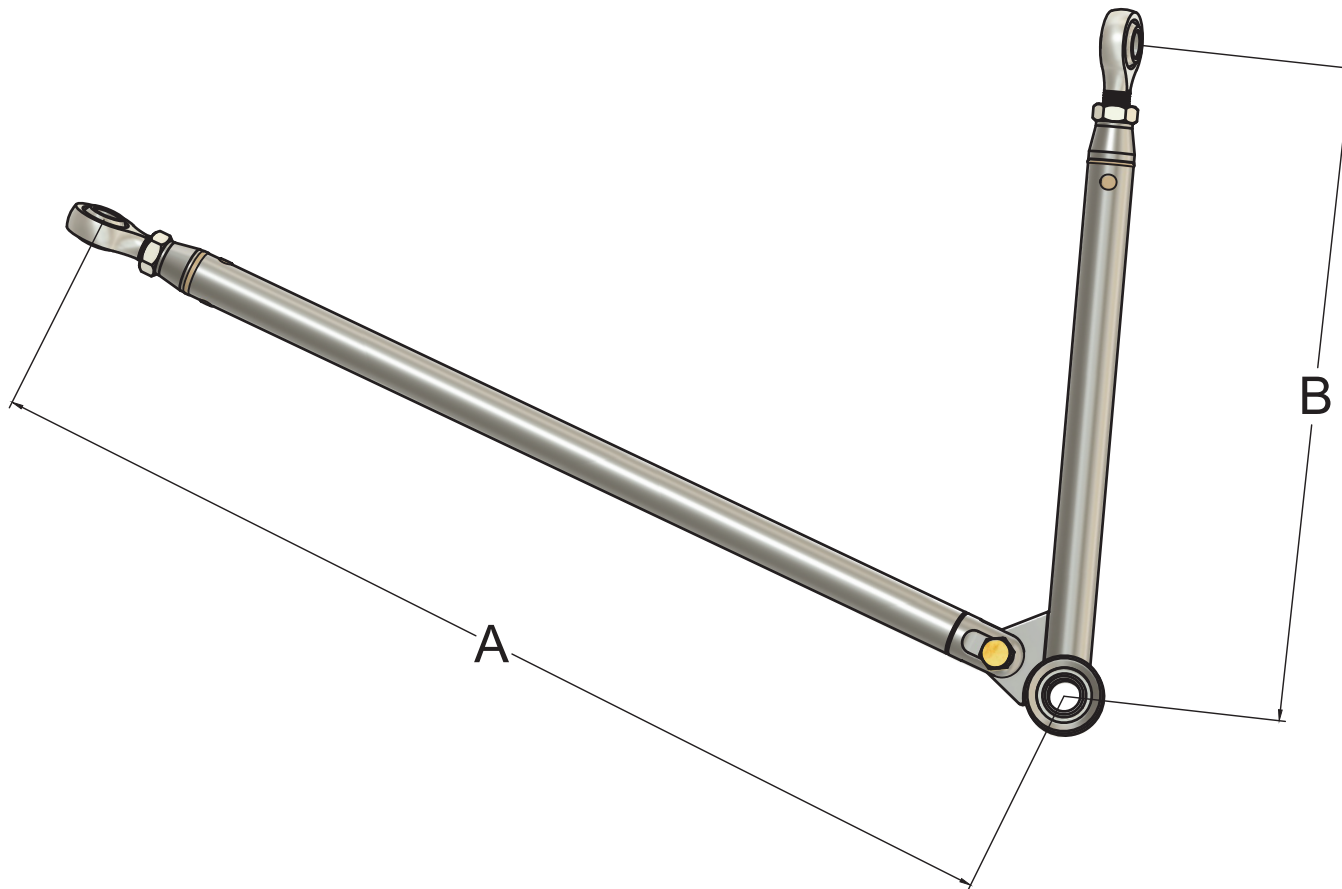
A _____
B _____

NOTES:

SIGNATURE

DATE

PHONE: (636) 338-4912
EMAIL: info@timmcamis.com



DISCLAIMER

Please be certain that the dimensions that you are providing on this form are accurate, as we take no responsibility for your dimensions and you may incur extra charges to correct the product. Do not hesitate to send an email if you need some assistance or helpful suggestions. Thank you for your cooperation.